

ZACCARIA

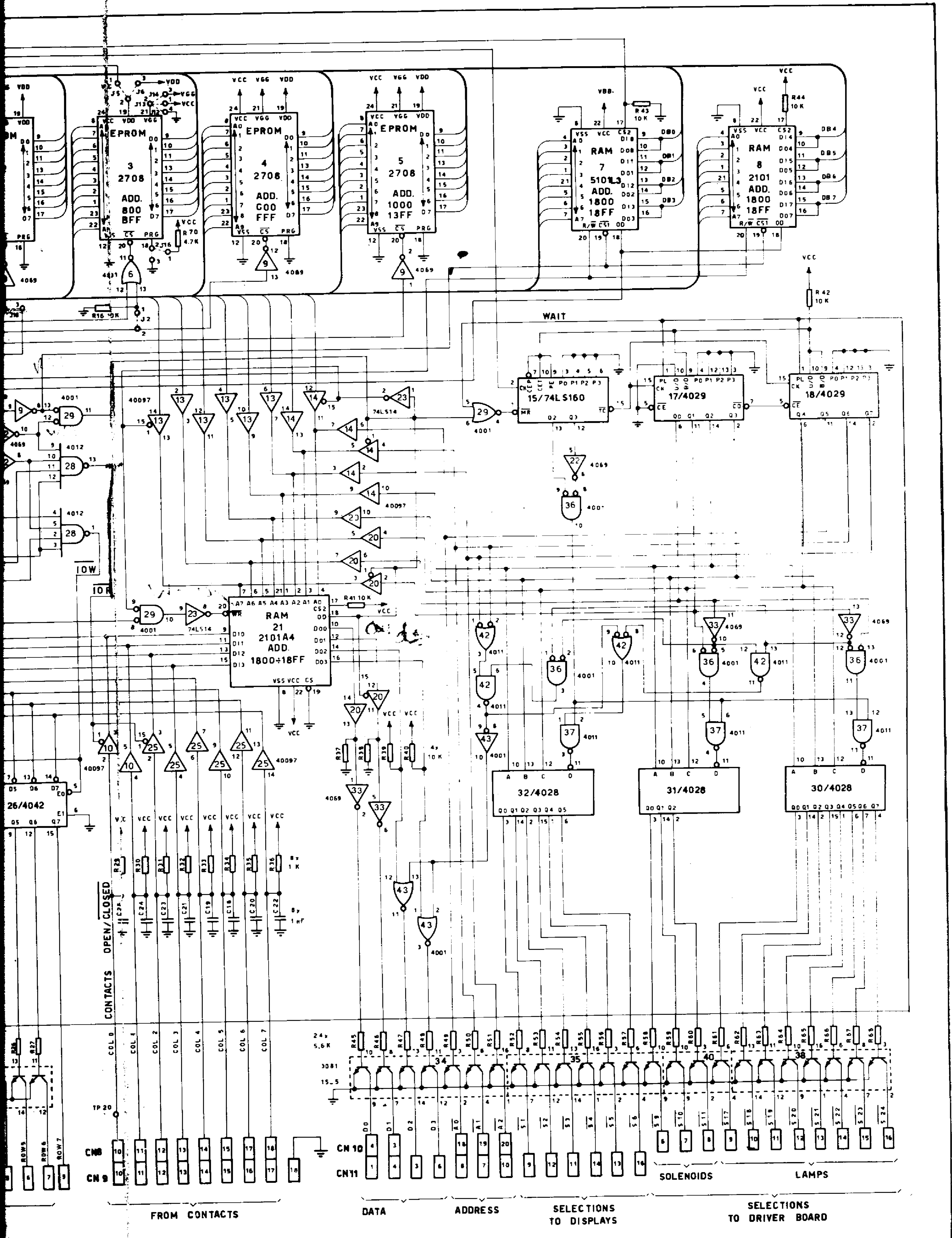
COD. 1B1310/1

ELECTRICAL DIAGRAM for
CPU BOARD 1B1110/1

TO DISPLAYS

TO CONTACTS

CONTACTS OPEN/CLOSED



FROM CONTACTS

DATA

ADDRESS

SELECTIONS TO DISPLAYS

SELECTIONS TO DRIVER BOARD

SOLENOIDS

LAMPS

WAIT

CONTACTS OPEN/CLOSED

10W

10R

10W

10R

10W

10R