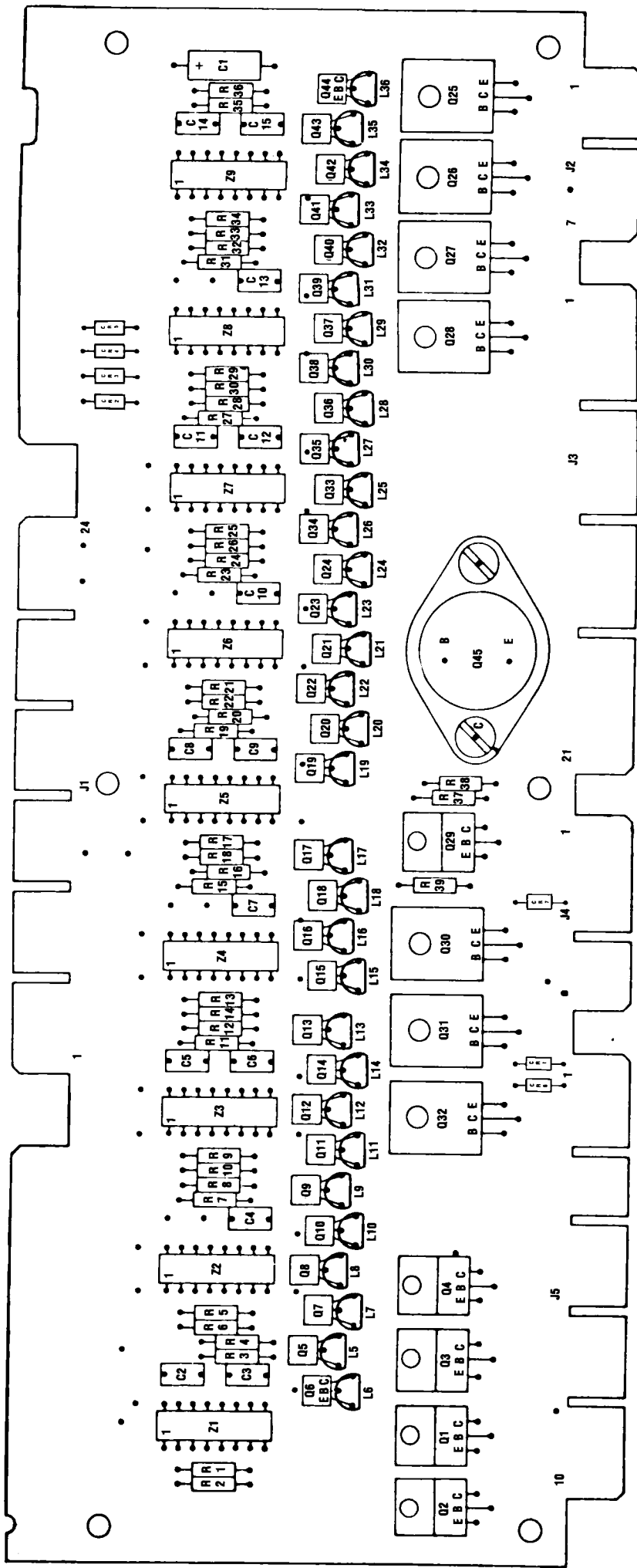


NOTE:
 L5 TO L36 INDICATE LAMP ASSIGNMENT
 SEE LAMP ASSIGNMENT PAGE FOR DESCRIPTION.

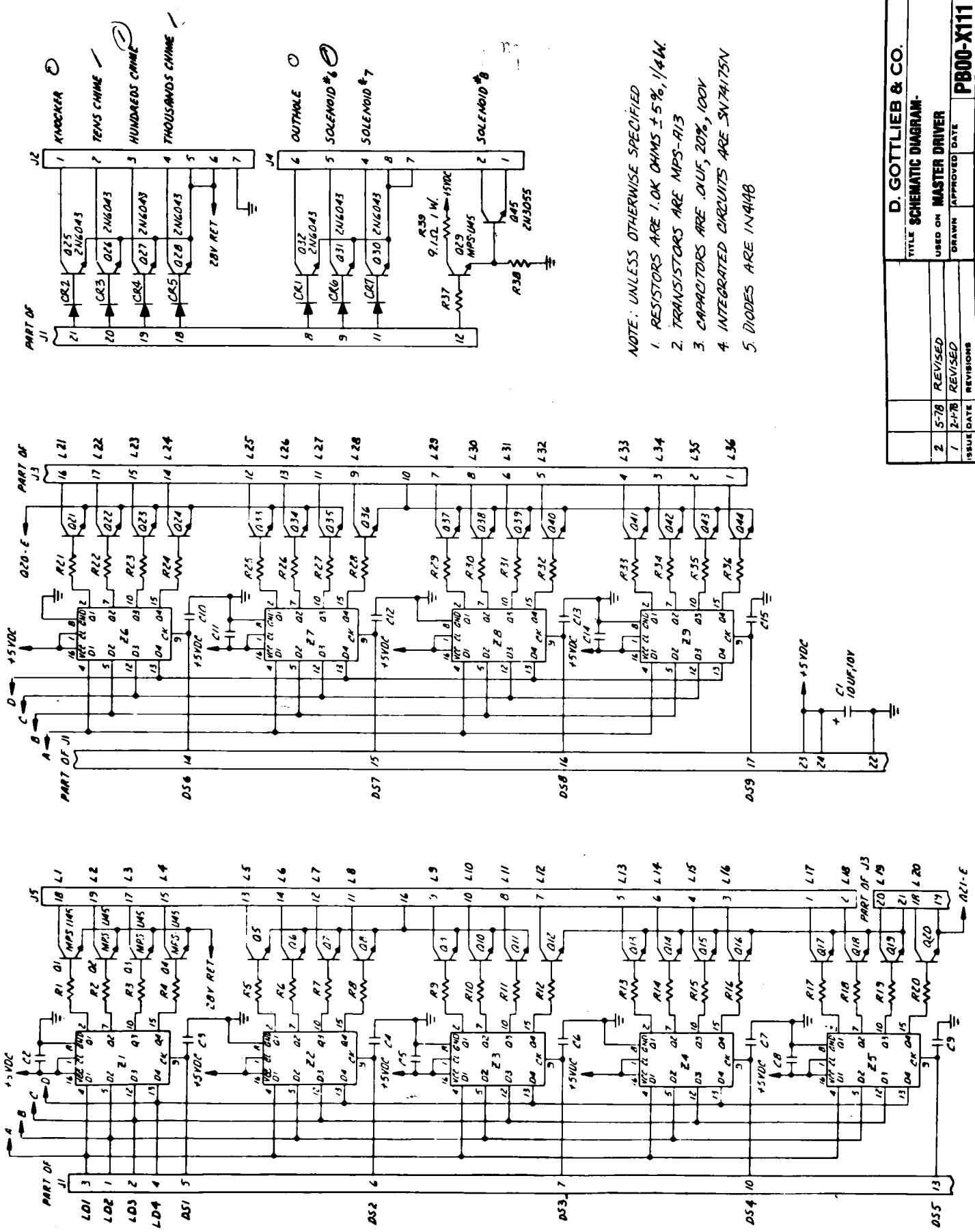


Q1—GAME OVER RELAY
 Q2—TILT RELAY
 Q3—HIGH GAME TO DATE
 Q4—SHOOT AGAIN

Q25—KNOCKER
 Q26—TENS
 Q27—HUNDREDS
 Q28—THOUSANDS

Q29 & Q45—SOLENOID #8
 Q30—SOLENOID #7
 Q31—SOLENOID #6
 Q32—OUTHOLE

D. GOTTLIEB & CO.		TITLE	
		SCHEMATIC DIAGRAM - MASTER DRIVER	
USED ON		DATE	REVISIONS
1	5-78	REVISED	
DRAWN		APPROVED	DATE
			PB00-D110



NOTE: UNLESS OTHERWISE SPECIFIED
 1. RESISTORS ARE 1.0K OHMS ± 5%, 1/4W.
 2. TRANSISTORS ARE MPS-R13
 3. CAPACITORS ARE .01UF, 20%, 100V
 4. INTEGRATED CIRCUITS ARE SN74175N
 5. DIODES ARE 1N4148

D. GOTTLIEB & CO.	
TITLE SCHEMATIC DIAGRAM-	
USED ON MASTER DRIVER	
ISSUE	DATE
2	5-78
1	2-78
REVISIONS	APPROVED DATE
DRAWN	
P800-X111	