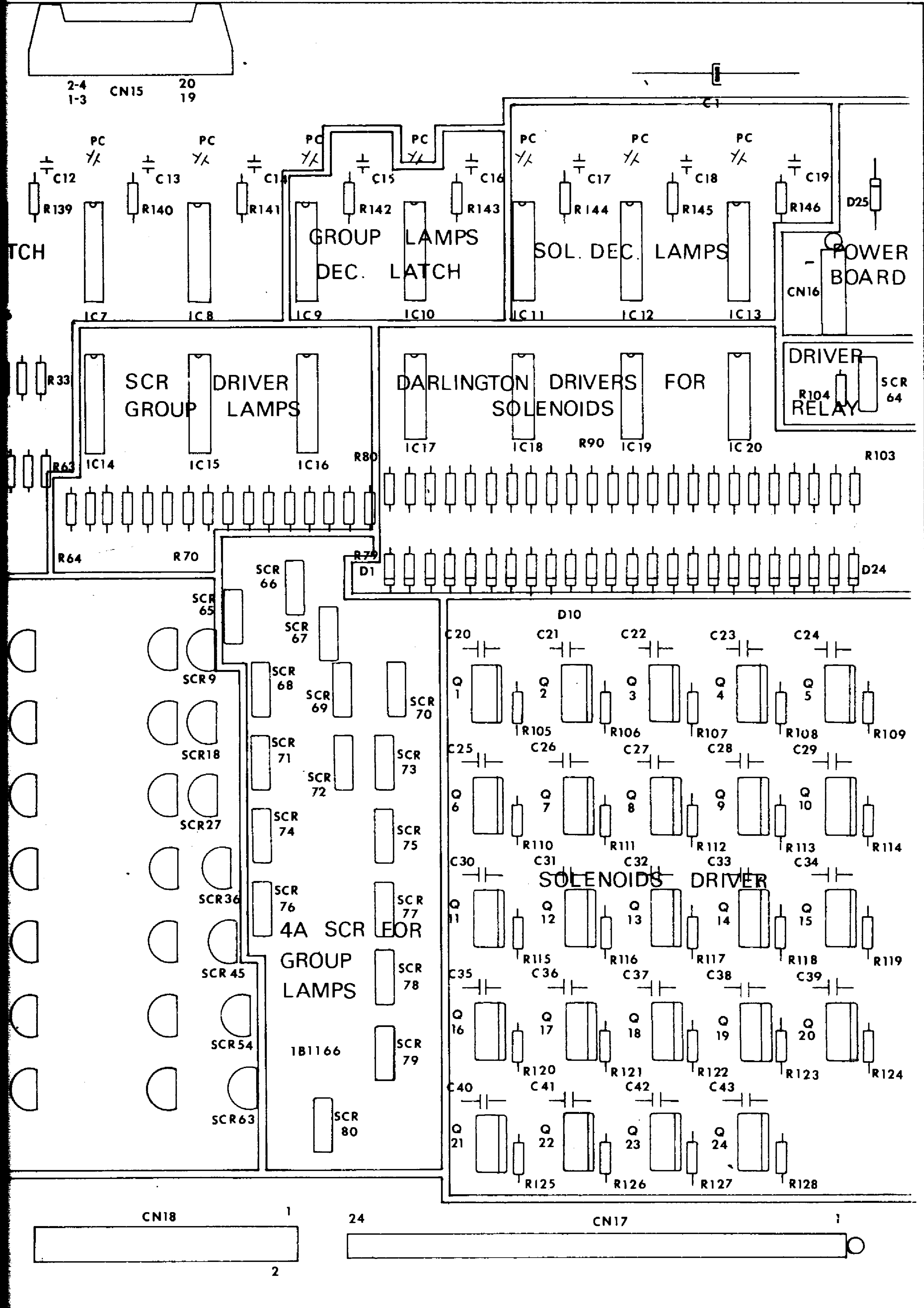


C.P.U. BOARD



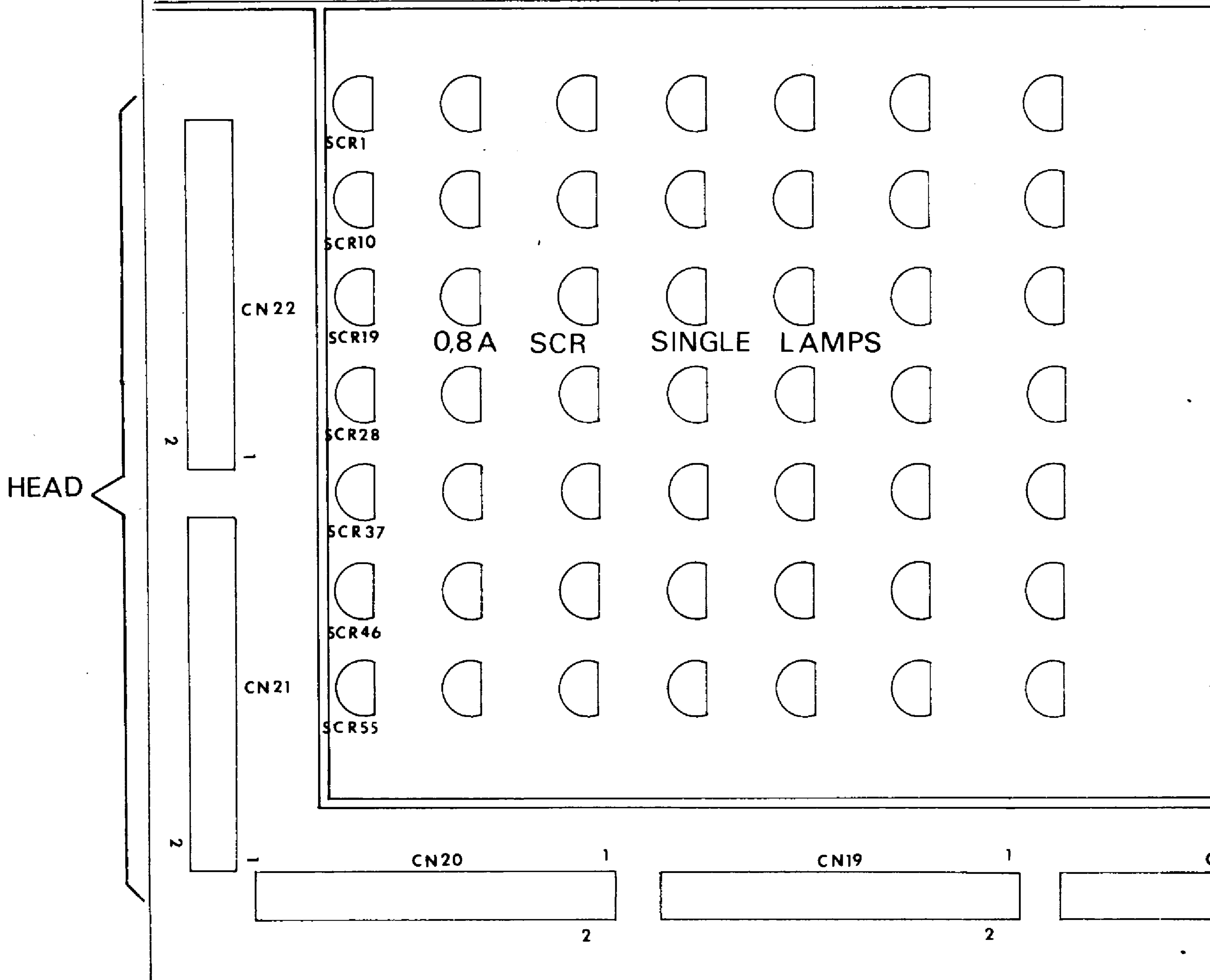
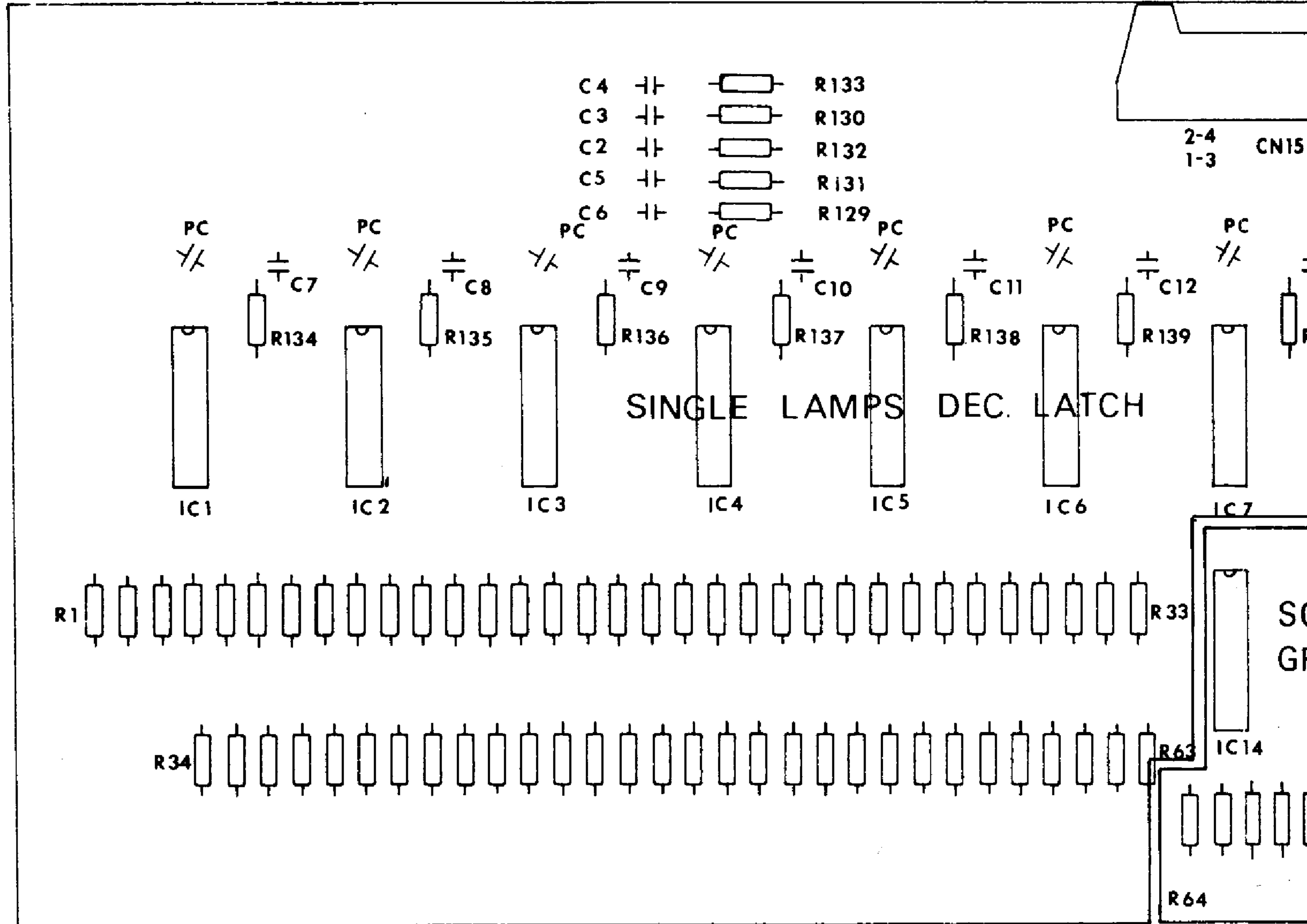
PLAYFIELD

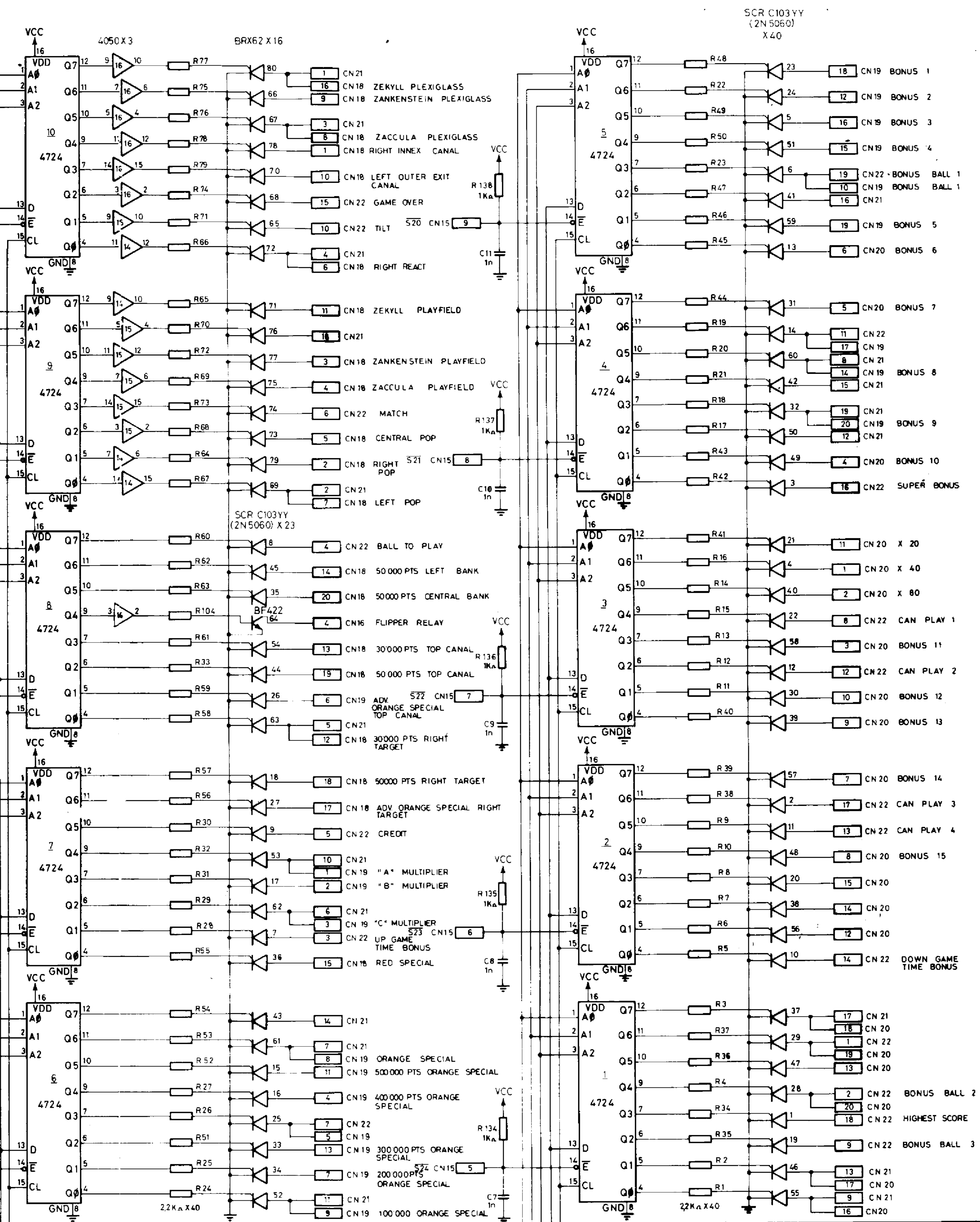
CABINET

INTERFACE board

P.C. 1B1166

C.P.U.

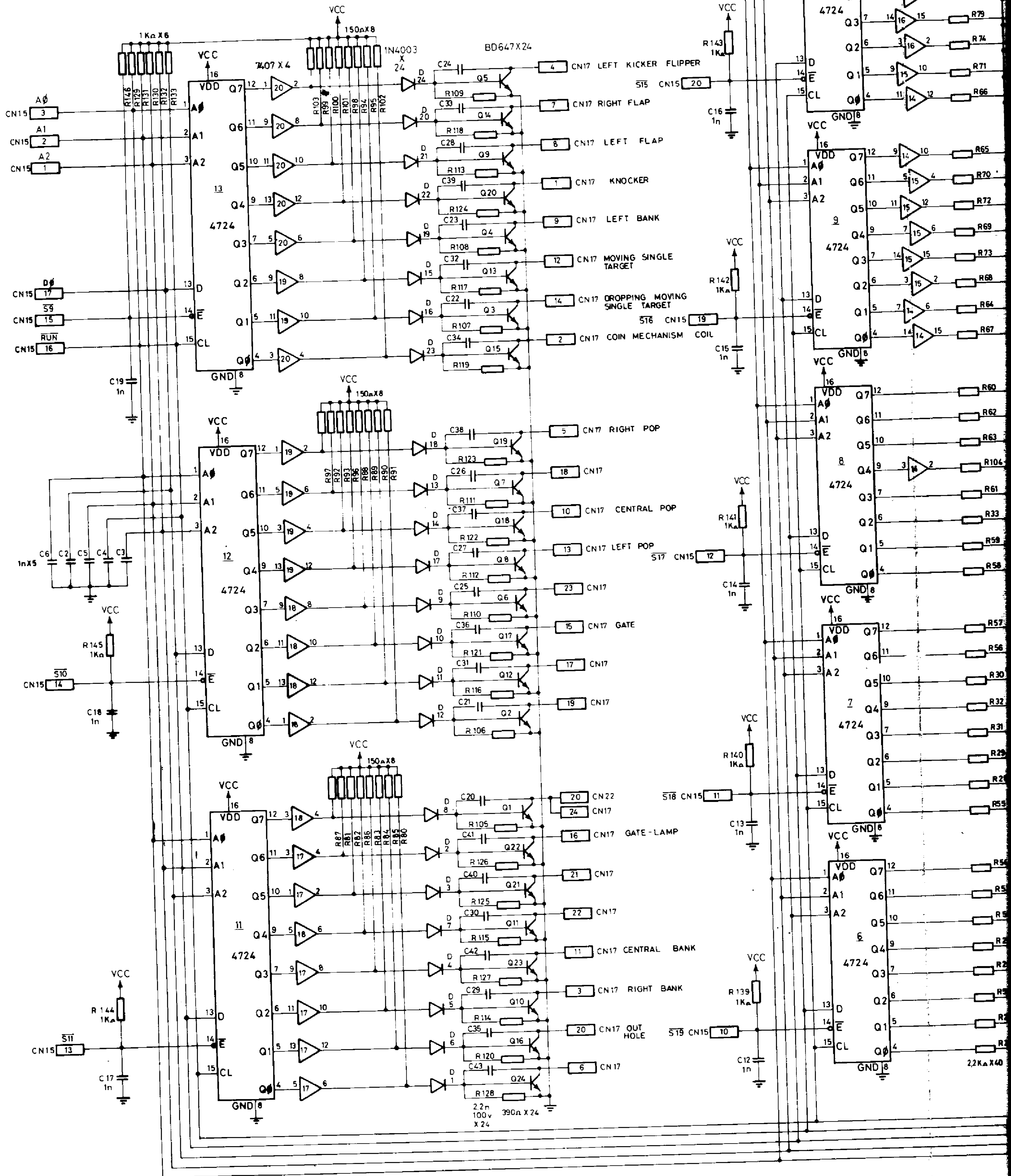
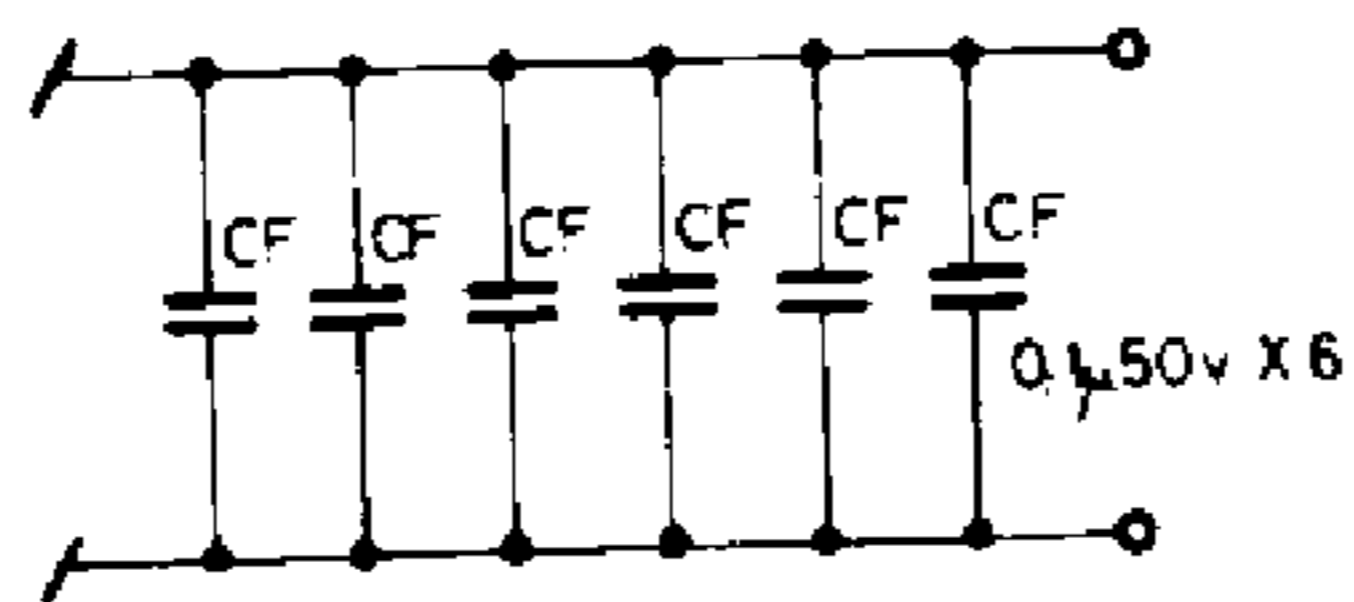
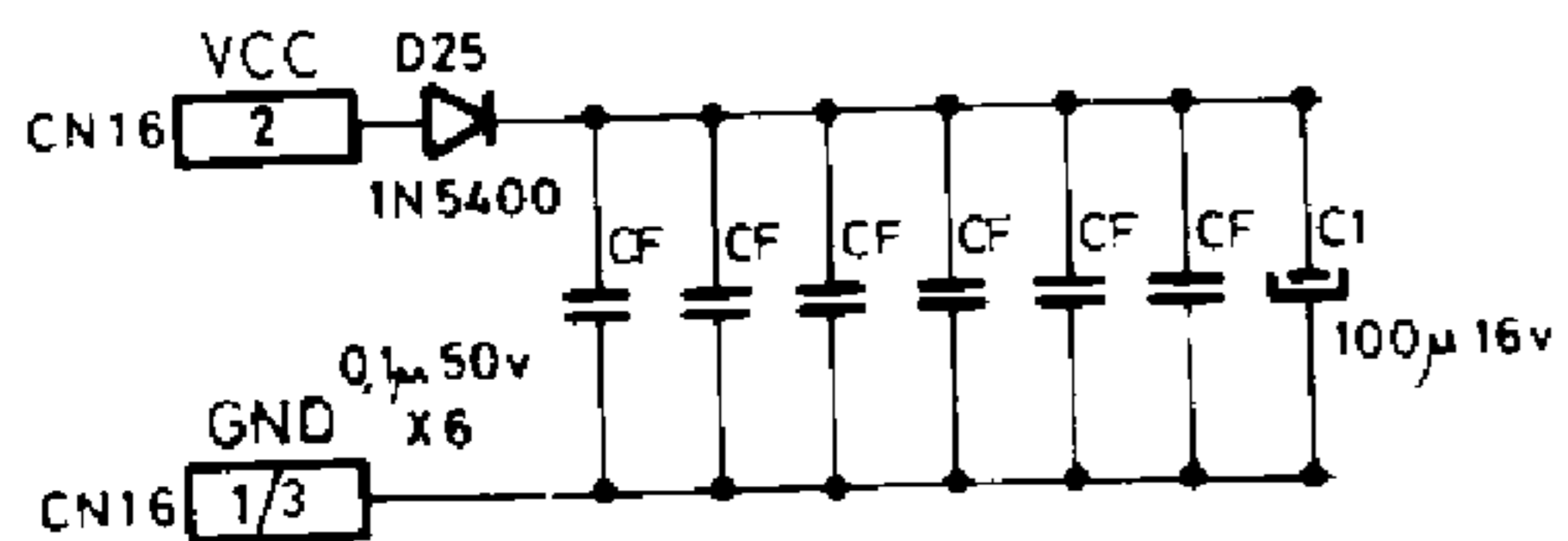




F.LLI ZACCARIA s.n.
Via Armaroli, 15 - 40012 CALDERARA DI RENO (BO)

| | | | |
|-----------------------------------|----------|---------------|-----------|
| PART NAME | | PART NO. | |
| INTERFACCIA "MAGIC CASTLE" | | 1B1366 | |
| DWN. | DATE | REV. | DATE REV. |
| <i>lorenz</i> | 20.04.84 | | |
| NOTES: UNLESS OTHERWISE SPECIFIED | | | |
| 1) ALL RESISTORS VALUES IN _____ | | | |
| 2) ALL CAPACITORS VALUES IN _____ | | | |

18
14
11



22K X 40