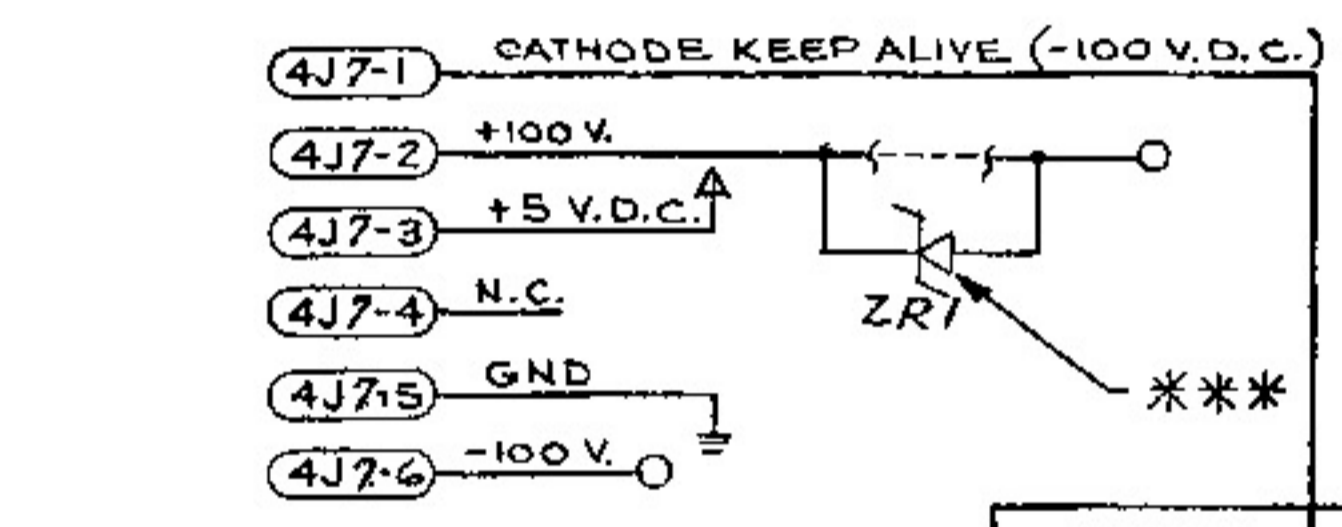
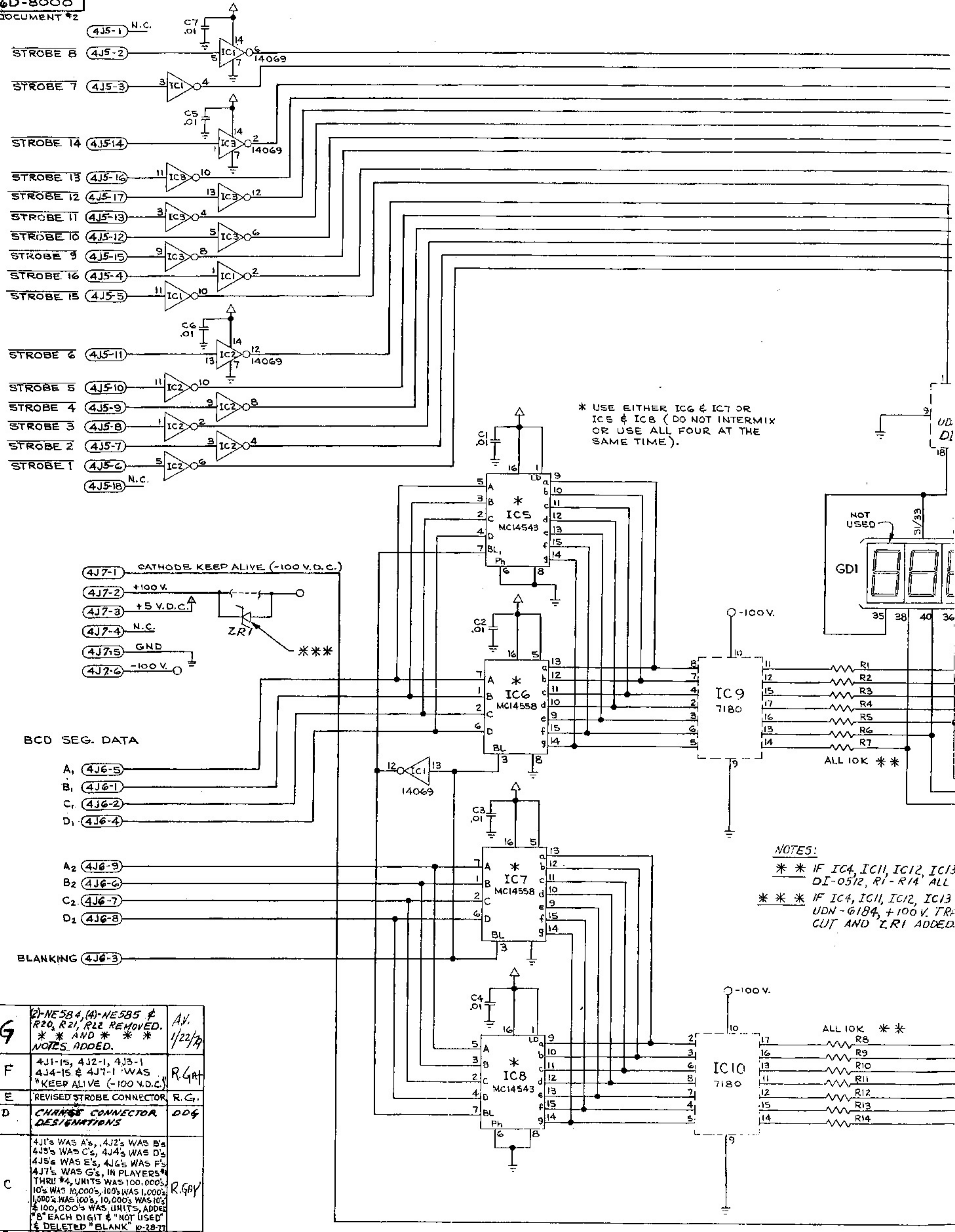


IC1 ARE ALL 15K.  
IC13 ARE TRACE 15 DED.

TOLERANCES UNLESS OTHERWISE SPECIFIED		WILLIAMS ELECTRONIC MFG. CORP.		QTY	ASSEMBLE ON
FRACTIONS	± 1/64	3401 N. CALIFORNIA CHICAGO 18, ILL. CORNELIA 7-2240			
DECIMALS	± .005	NAME SCHEMATIC, MASTER DISPLAY BD.			
HOLES	+ .002	MATERIAL	HEAT TREATMENT		
ANGULAR	± 1/2°				
OWN. R. GAT	DATE 9-26-71	APPD.	SCALE	16D-8000	DOCUMENT #2

D8000 Master Display Board Logic Diagram (IC Drivers)

16D-8000  
DOCUMENT #2



BCD SEG. DATA

- A1 (4J6-5)  
B1 (4J6-1)  
C1 (4J6-2)  
D1 (4J6-4)
- A2 (4J6-9)  
B2 (4J6-6)  
C2 (4J6-7)  
D2 (4J6-8)
- BLANKING (4J6-3)

NOTES:  
\*\* IF IC4, IC11, IC12, IC13 DI-0512, R1-R14 ALL  
\*\*\* IF IC4, IC11, IC12, IC13 UDN-6184, +100V. TR: CUT AND ZR1 ADDED.

G	2) NE584, (4) NE585 & R20, R21, R22 REMOVED. * * AND * * * NOTES ADDED.	AV. 1/22/79
F	4J1-15, 4J2-1, 4J3-1 4J4-15 & 4J7-1 WAS "KEEP ALIVE (-100 V.D.C.)"	R.GAT
E	REVISED STROBE CONNECTOR	R.G.
D	CHANGE CONNECTOR DESIGNATIONS	DDG
C	4J1'S WAS A'S, 4J2'S WAS B'S 4J3'S WAS C'S, 4J4'S WAS D'S 4J5'S WAS E'S, 4J6'S WAS F'S 4J7'S WAS G'S, IN PLAYERS #1 THRU #4, UNITS WAS 100,000'S 10'S WAS 10,000'S, 100'S WAS 1,000'S 1,000'S WAS 100'S, 10,000'S WAS 10'S & 100,000'S WAS UNITS, ADDED "8" EACH DIGIT & "NOT USED" & DELETED "BLANK" 10-28-77	R.GAY
B	REDRAWN & REVISED 9-26-77	R.GAY
REVISION LETTER	REVISION	BY