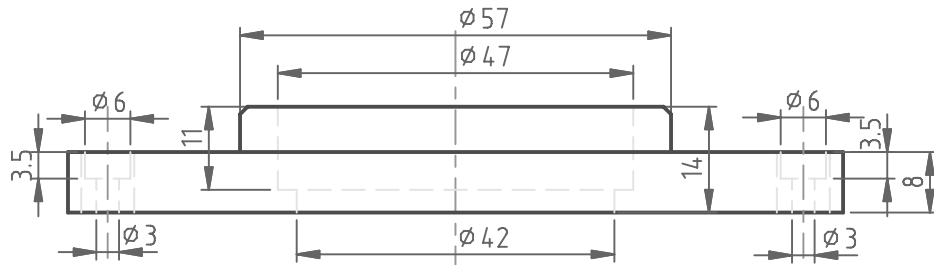
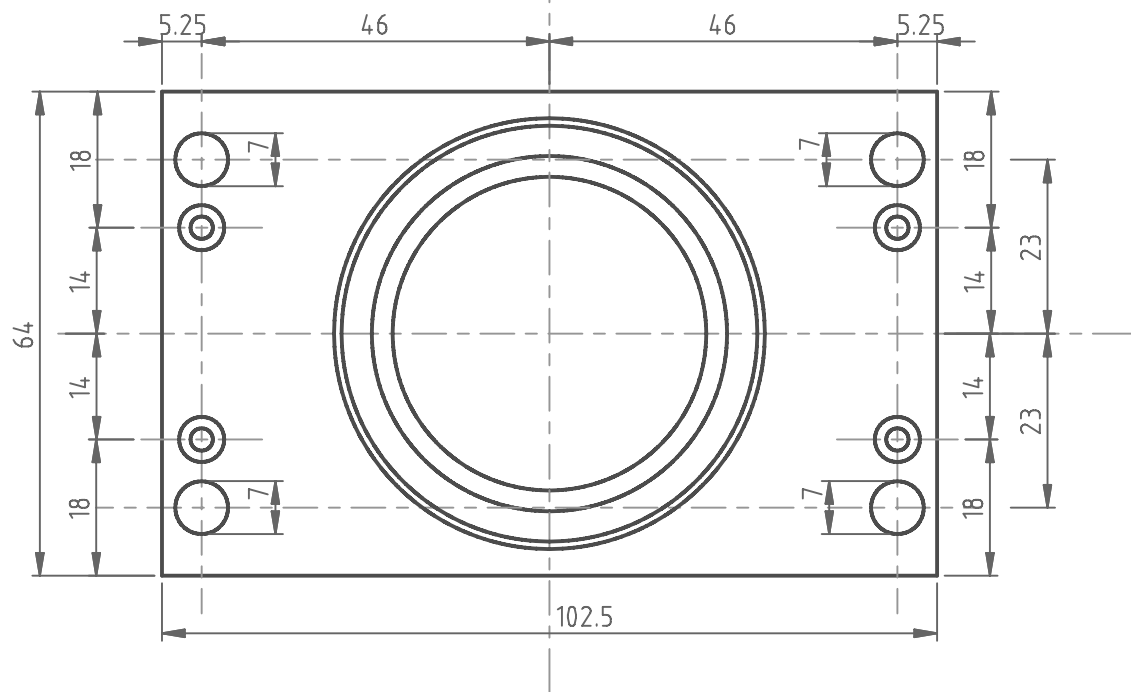
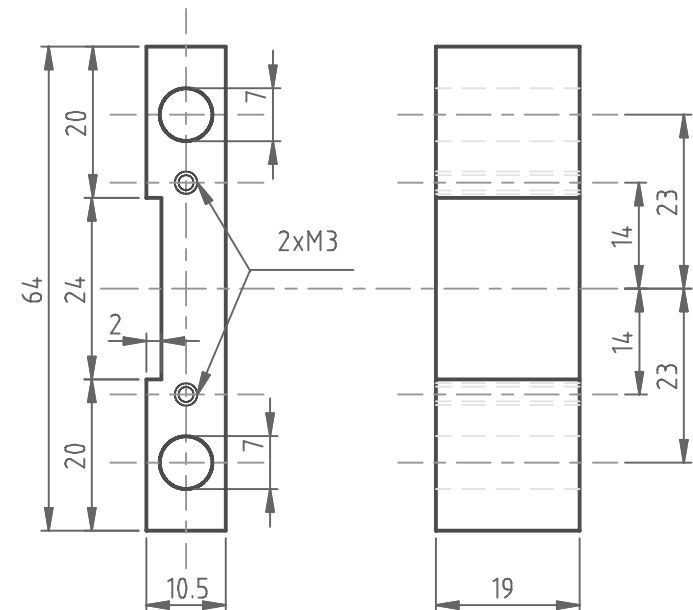


Lagerhouder  
Bearing holder



Steun Lagerhouder  
Support bearing holder

2x



|                      |                  |                                |                     |
|----------------------|------------------|--------------------------------|---------------------|
| Projectie/Projection |                  | Project Draaitafel Index table |                     |
| Getek./Drawn         | <u>G. Emonds</u> | Deel                           | Lager houder onder  |
| Datum/Date           | <u>31/07/08</u>  | Part                           | Bearing holder down |
|                      |                  | Blad/Sheet                     | 7/22                |
|                      |                  | Schaal/Scale                   | 1:1                 |