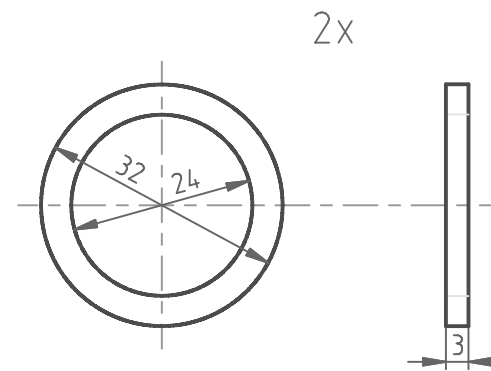
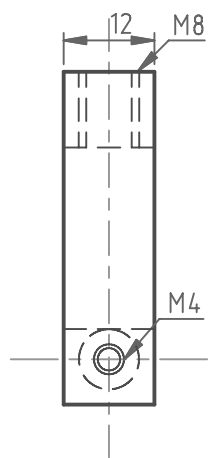
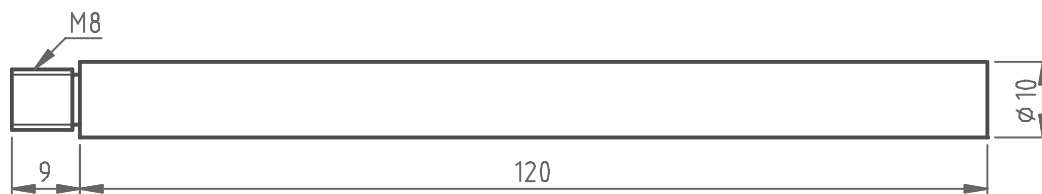


Handgreep houder
Handle holder



Rondsel - Spacer



Handgreep - Handle

| | | | |
|----------------------|-----------|----------------------------------|-----------|
| Projectie/Projection | | Project Boldraaier - Ball cutter | |
| Getek./Drawn | G. Emonds | Deel | Handgreep |
| Datum/Date | 14/07/13 | Part | Handle |
| | | Blad/Sheet | 5/8 |
| | | Schaal/Scale | 1:1 |