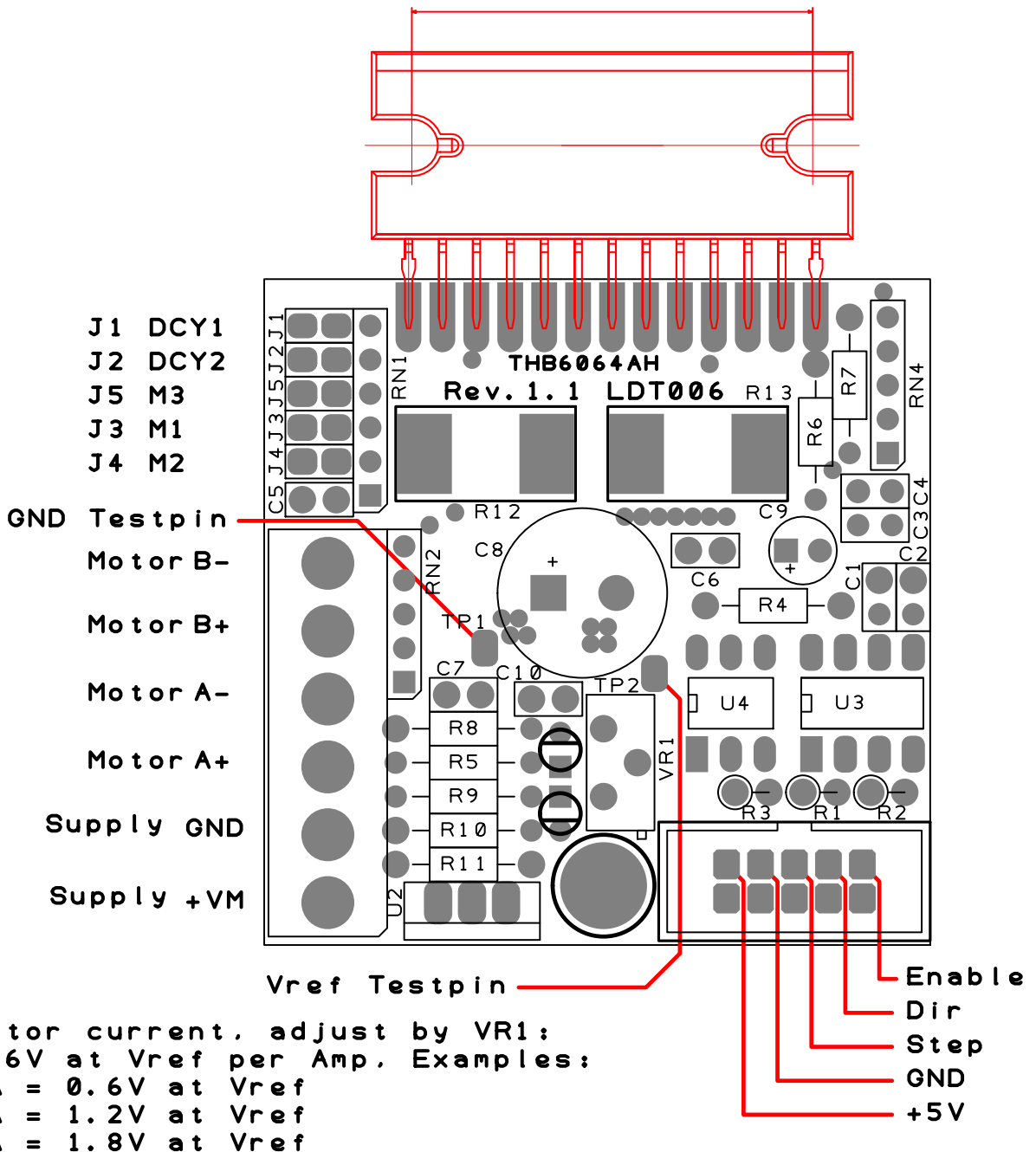


JUMPER SETTINGS:

Decay		
J1	J2	
ON	ON	20%
	ON	40%
ON		60%
		80%

Microstepping mode			
J3	J4	J5	
ON	ON	ON	half
	ON	ON	8th
ON		ON	10th
		ON	16th
ON	ON		20th
	ON		32nd
ON			40th
			64th



IMPORTANT: These values are with a running motor. At standby these are +/- 50% of the above.

THB6064AH special (flat) version Rev. 1.1

Component direction, connection, testpins, jumper settings, motor current adjustment.