

CONN1 X-AXIS
Pin2 Step
Pin3 Dir

CONN2 Y-AXIS
Pin4 Step
Pin5 Dir

CONN3 Z-AXIS
Pin6 Step
Pin7 Dir

CONN4 A-AXIS
Pin8 Step
Pin9 Dir

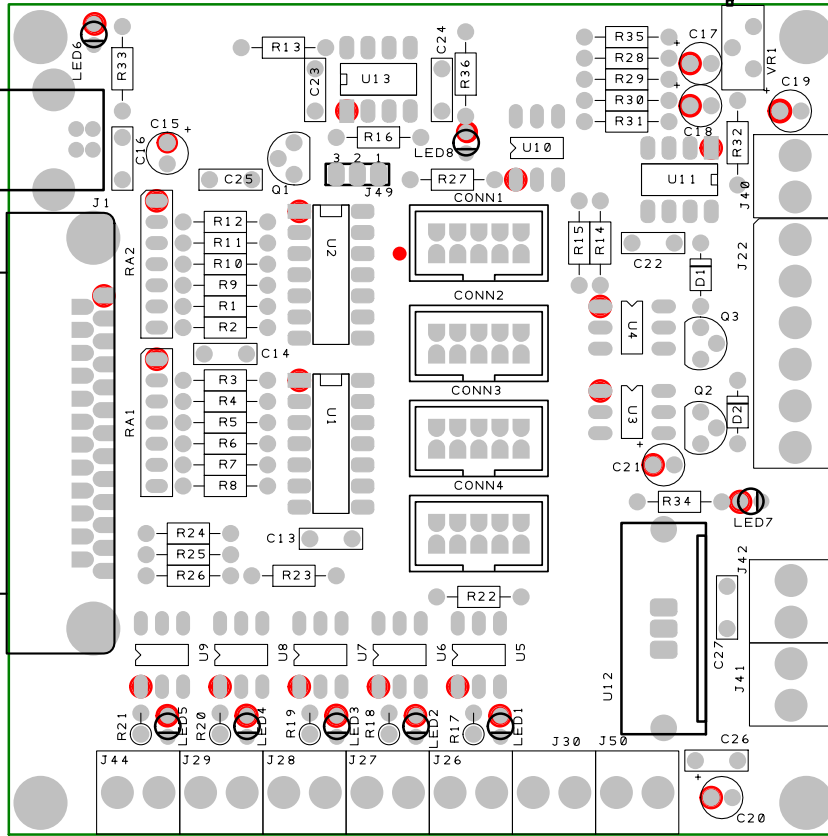
J49 jumper on pins 1-2: Drives needs enable signal active.

J49 jumper on pins 2-3: Drives needs enable signal non-active.

USB style B connector
supplying the +5V from PC.

DB25 Male 90°

+10V Spindle PWM output (pin 17)
GND
+12V Relay 2 output (pin 16)
GND
+12V Relay 1 output (pin 14)
GND
+12V DC supply output
GND
GND DC supply input
+



+ Input 5 (pin 15)
+ Input 4 (pin 13)
+ Input 3 (pin 12)
+ Input 2 (pin 11)
+ Input 1 (pin 10)
+12V DC supply output
GND
+12V DC supply output
GND

4 AXIS parallel port breakout board